

Phonics

Name: _____

Class: _____

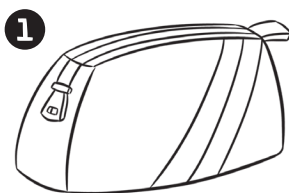
1 Letter Formation



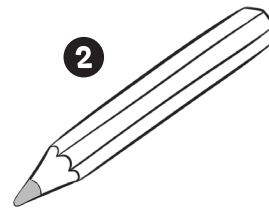
Trace. Look and complete.



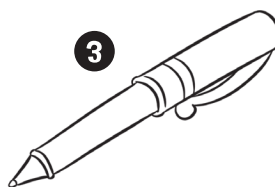
En un paper i enviar la foto



encil case



encil



en

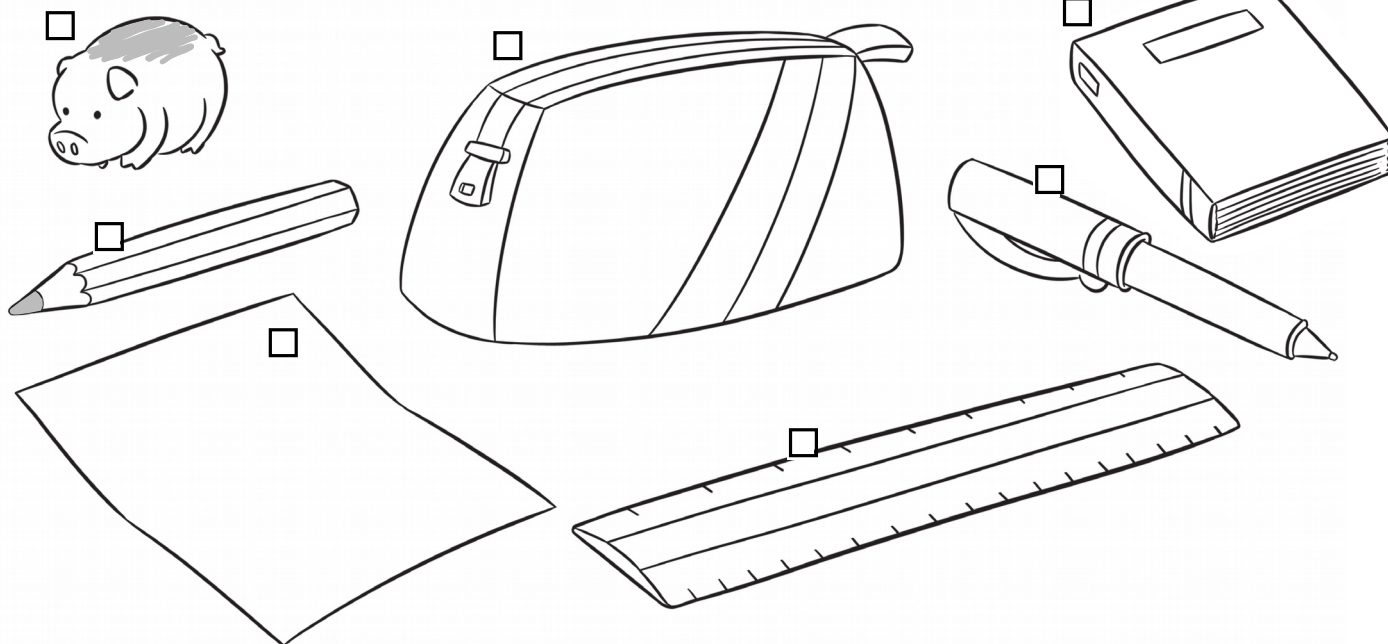
2 Sound Recognition



Circle and colour words with the p sound.

pig pen paper pencil ruler pencil case book

Marcar amb una X / Marcar con una X



- Trace the letter 'p' and complete the words with the same sound.
- Circle the words with the 'p' sound and colour the correct items in the picture.